

Signos

LET THINGS TALK

Line Industry

SiMano OCR

With our SiMeter OCR solution we are able to read 99,9% of the pressure gauges.



AI



Camera



Flash



OCR



IP68



ATEX

Signos, Calle María de Luna 11 Nave 5, Zaragoza – Spain
+34 976 90 90 33 – info@signos.io
Signos.io

OVERVIEW

SiMano for pressure gauges:

- SiMano OCR smart reader is designed as an effective add-on device to the current pressure gauge. By direct camera reading, together with the AI chip Deep learning/ recognition mode, it can recognize the number/ pointer position on the meter offline, and transmit the numerical results wirelessly. Supporting NB-IoT modules for data remote transmission, it enables the centralized management of pressure data.

Core Strengths

- Local identification: proprietary technology, to achieve the digital identification on the meter.
- AI chip: AI chip independently developed with patents to realize chip-level image recognition algorithm.
- A variety of outputs: data reading directly from the device, small size binary diagram and clear original diagram can be provided to meet different network and compatibility requirements.
- Data storage: the meter can store the historical data, and the historical data will not be lost when the network is cut off.
- Compatibility: applicable to any type of meters, suitable for different manufacturers, different models of meter installation.
- Easy installation: easy installation for one person, no need to stop water and power supply.



avoiding unnecessary travel

↓
Cost savings

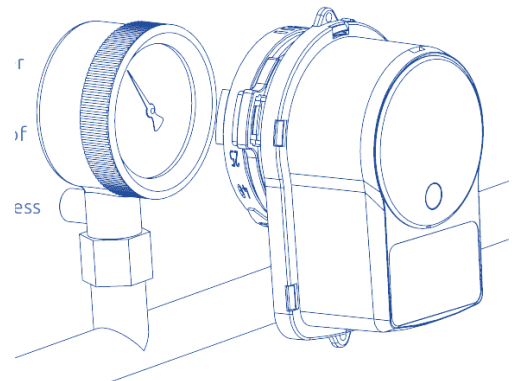
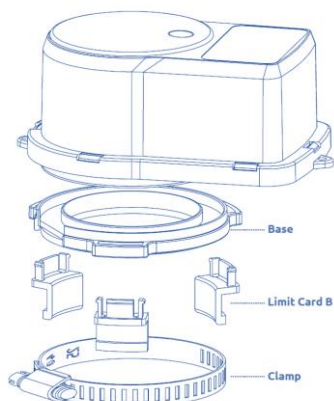
↓
Reduction of emissions



→ Alerts

All manometer Smart reader is designed as an effective add-on device to the current pressure gauge.

Type	SiMano OCR
Dimensions	134 mm x 96 mm x 55 mm
Weight	200g
Battery capacity	Lithium Battery AA 8500mAh
Battery Life	6 Years *
Working Current	< 160 mA
Standby current	< 5µA
Humidity	0 – 99 %
Working temperature	-10° / + 55°
Storage temperature	-25° / +70°
Recognition accuracy	> 99.9 %
Protection	IP68 – ATEX (EX II1GD IIC T6 Gda)
Reception sensitivity	-139 +/- 1dBm
Maximum system transmission power	NB:23 +/- 2dBm
Standing wave ratio	<3
Electromagnetic protection	Grade E1
Communication module	Nb-IoT **
* Operating at temperature from + 5°C to 35°C.	
** Different network and compatibility requirements, depending on country.	
*** Availability of anchoring accessories.	



Certifications:

